

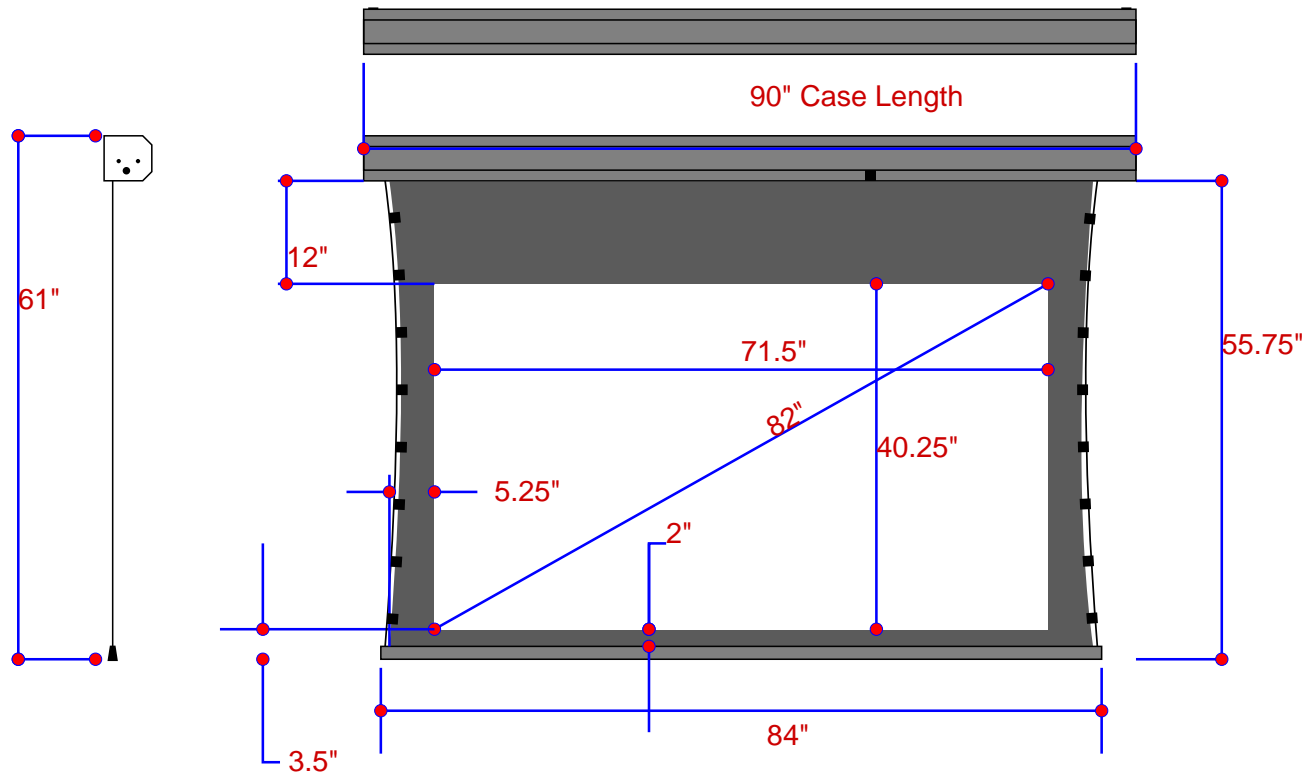


Luxus Model A Electriscreen
LX082HST13G3B-12-2-5.25

Estimate #: **154737**

| | | | | |
|--------------------------------------|------------------------------------|--------------------------------------|------------------------------|-----------------------------|
| Screen Material: StudioTek 130 G3 | Aspect Ratio: 1.776 | Mounting: Ceiling Mount (Exposed) | Case Color: Black | Batten Color: Black |
| Control(s): HVS | Projector: Mfg:TBD - Model: TBD | Image Brightness: | Perforation: None | |
| Dealer: CAVENA MULTIMEDIA AB | Project Name: | Requested By: Tim Jansson | Estimated By: Tim Jansson | Estimate Date: 6/23/2008 |
| | | | | Need By: 6/24/2008 |

Screen Diagram



Acceptance Date:

Customer Acceptance Signature:

Notes:



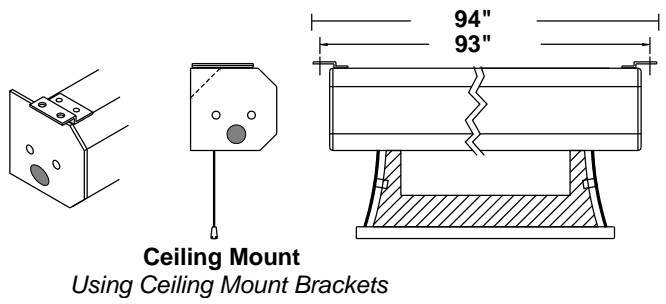
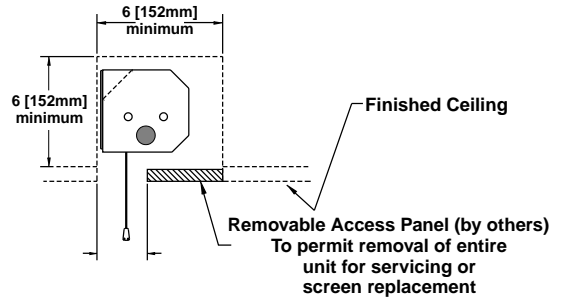
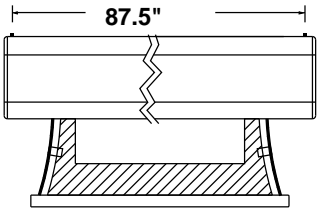
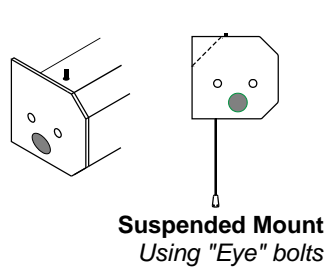
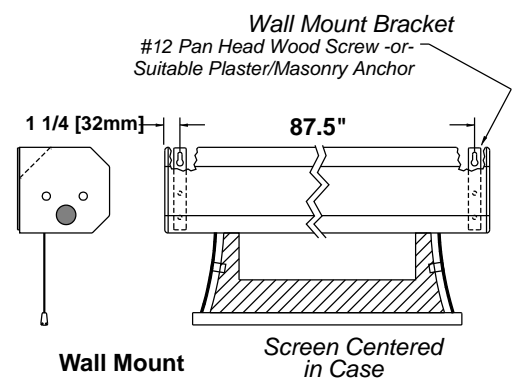
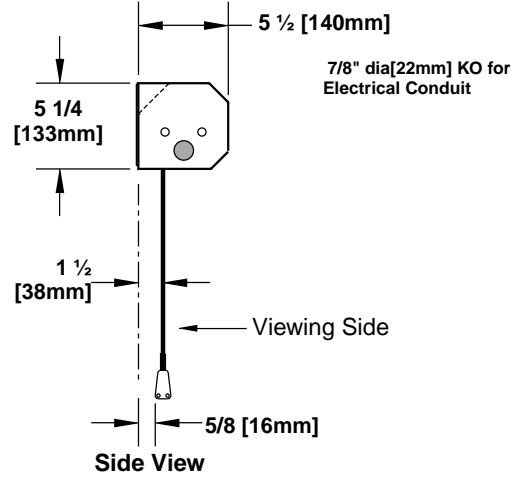
Ceiling Mount (Exposed) Exposed ceiling mount

Estimate #: **154737**

| | | | |
|---------------------------------------|------------------------------------|--------------------------------------|--|
| Screen Material: StudioTek 130 G3 | Aspect Ratio: 1.776 | Mounting: Ceiling Mount (Exposed) | Frame Color: Black |
| Control(s): HVS | Projector: Mfg:TBD - Model: TBD | Image Brightness: | Perforation: None |
| Project Name: CAVENA MULTIMEDIA AB | Requested By: Tim Jansson | Estimated By: Tim Jansson | Estimate Date: 6/23/2008 Need By: 6/24/2008 |

Installation Diagram

Dealer: CAVENA MULTIMEDIA AB



Acceptance Date: _____ Customer Acceptance Signature: _____ Notes: _____



High Voltage Wall Switch

High Voltage 3-position Wall Switch.

Estimate #: **154737**

| | | | | | |
|---------------------------------|---------------|------------------------------|------------------------------|-----------------------------|-----------------------|
| Dealer: CAVENA MULTIMEDIA AB | Project Name: | Requested By: Tim Jansson | Estimated By: Tim Jansson | Estimate Date: 6/23/2008 | Need By: 6/24/2008 |
|---------------------------------|---------------|------------------------------|------------------------------|-----------------------------|-----------------------|

220V AC50/60Hz Export High Voltage Wall Switch

