

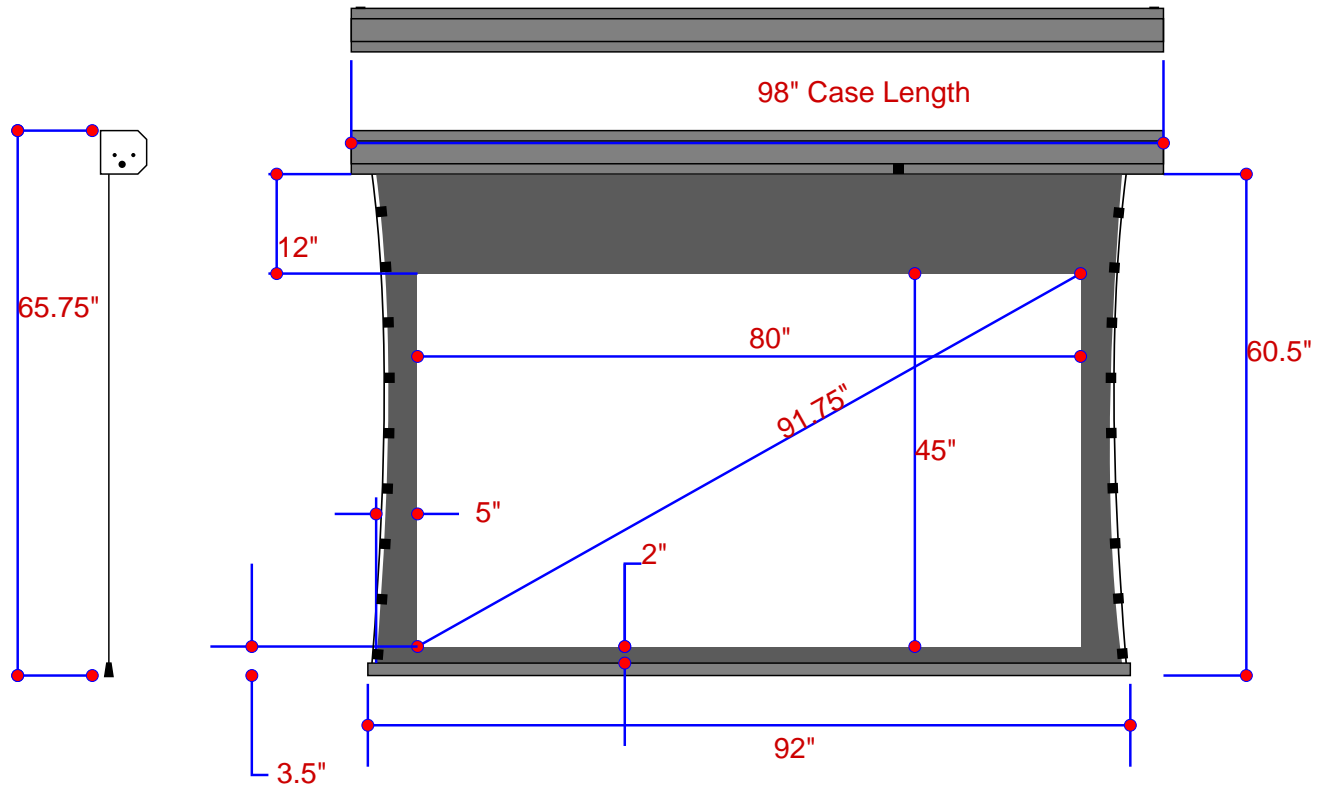


Luxus Model A Electriscreen
LX092HST13G3B-12-2-5

Estimate #: **154739**

Screen Material: StudioTek 130 G3	Aspect Ratio: 1.778	Mounting: Ceiling Mount (Exposed)	Case Color: Black	Batten Color: Black
Control(s): HVS	Projector: Mfg:TBD - Model: TBD	Image Brightness:	Perforation: None	
Dealer: CAVENA MULTIMEDIA AB	Project Name:	Requested By: Tim Jansson	Estimated By: Tim Jansson	Estimate Date: 6/23/2008 Need By: 6/24/2008

Screen Diagram



Acceptance Date:

Customer Acceptance Signature:

Notes:



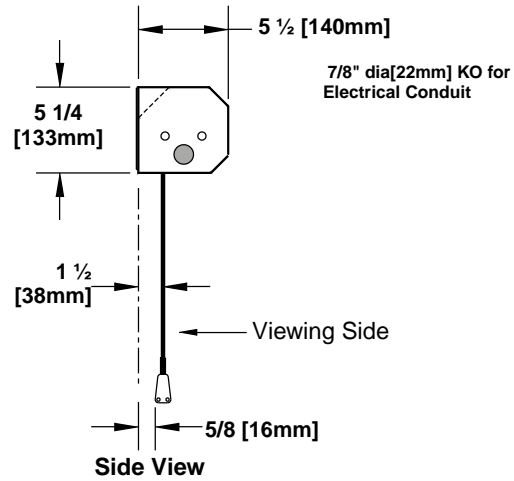
Ceiling Mount (Exposed)

Exposed ceiling mount

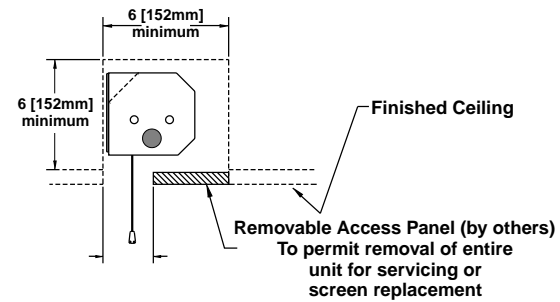
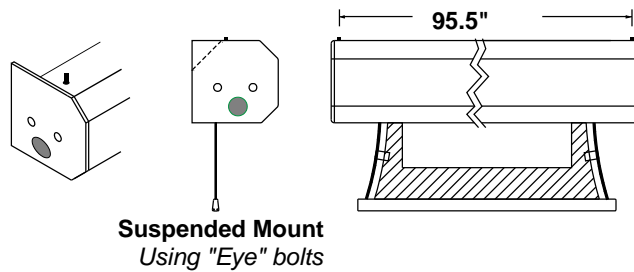
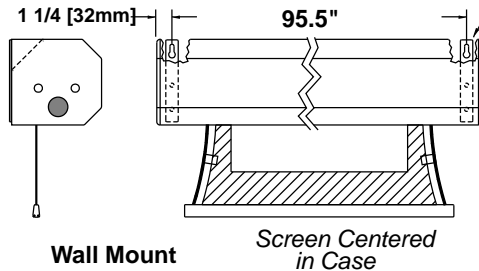
Estimate #: **154739**

Screen Material: StudioTek 130 G3	Aspect Ratio: 1.778	Mounting: Ceiling Mount (Exposed)	Frame Color: Black
Control(s): HVS	Projector: Mfg:TBD - Model: TBD	Image Brightness:	Perforation: None
Dealer: CAVENA MULTIMEDIA AB	Project Name:	Requested By: Tim Jansson	Estimated By: Tim Jansson
		Estimate Date: 6/23/2008	Need By: 6/24/2008

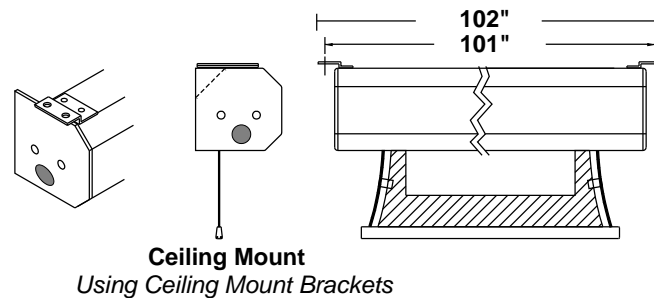
Installation Diagram



Wall Mount Bracket
#12 Pan Head Wood Screw -or- Suitable Plaster/Masonry Anchor



Soffet/Recessed Mount
- Minimum Clearances -



Acceptance Date:

Customer Acceptance Signature:

Notes:



High Voltage Wall Switch

High Voltage 3-position Wall Switch.

Estimate #: **154739**

Dealer: CAVENA MULTIMEDIA AB	Project Name:	Requested By: Tim Jansson	Estimated By: Tim Jansson	Estimate Date: 6/23/2008	Need By: 6/24/2008
---------------------------------	---------------	------------------------------	------------------------------	-----------------------------	-----------------------

220V AC50/60Hz Export High Voltage Wall Switch

