

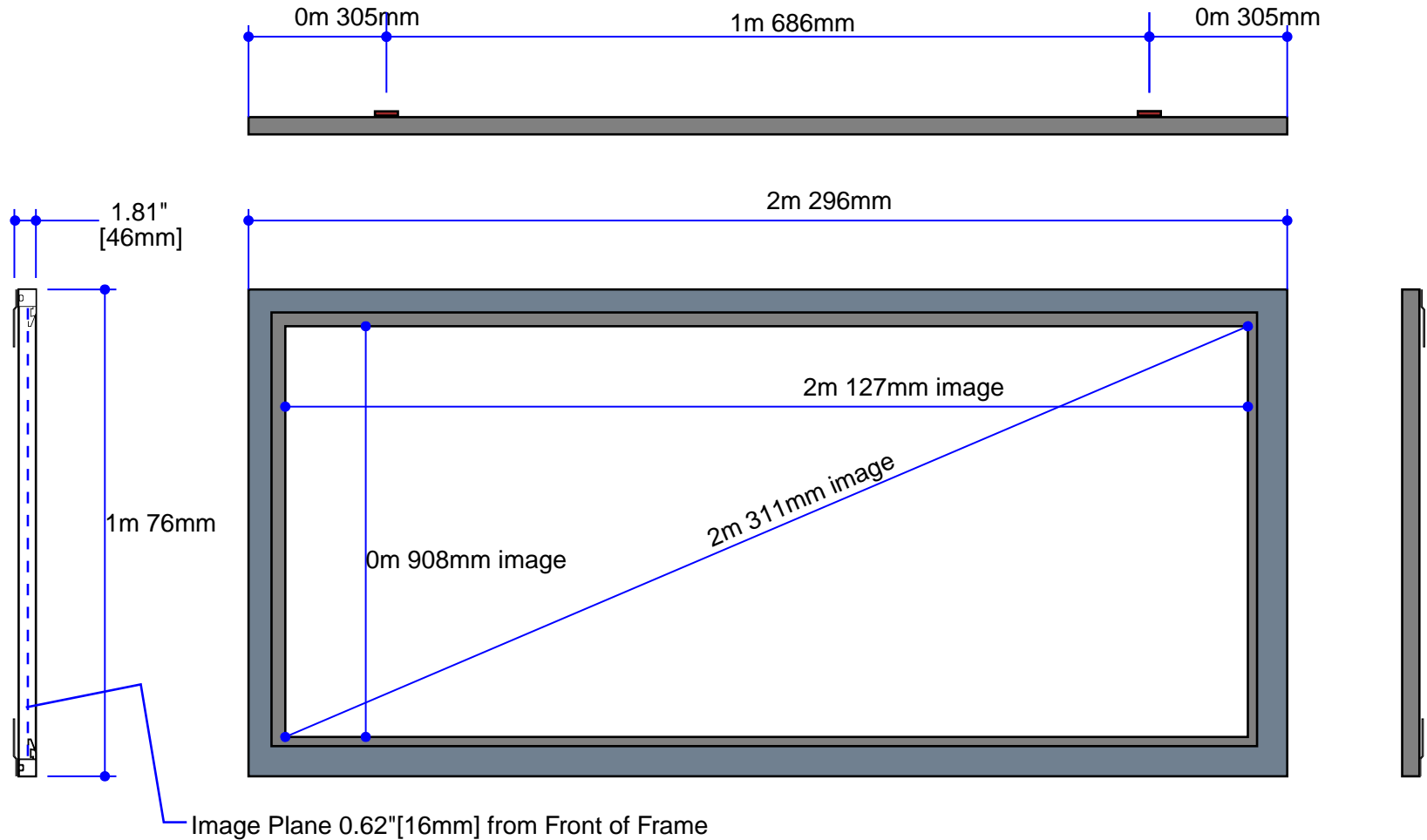


# Luxus Deluxe Screen Wall Quicksnap SNDQ091SST13G3WezX

Estimate #: **155198**

|                                      |                                    |                              |                              |
|--------------------------------------|------------------------------------|------------------------------|------------------------------|
| Screen Material:<br>StudioTek 130 G3 | Aspect Ratio:<br>2.343             | Mounting:<br>EZ-Mount Wall   | Frame Color:<br>VeLux        |
| Control(s):                          | Projector:<br>Mfg:TBD - Model: TBD | Image Brightness:            | Perforation:<br>None         |
| Dealer:<br>CAVENA MULTIMEDIA AB      | Project Name:                      | Requested By:<br>Tim Jansson | Estimated By:<br>Tim Jansson |
|                                      |                                    | Estimate Date:<br>6/26/2008  | Need By:<br>6/27/2008        |

## Screen Diagram



Acceptance Date: \_\_\_\_\_ Customer Acceptance Signature: \_\_\_\_\_ Notes: \_\_\_\_\_

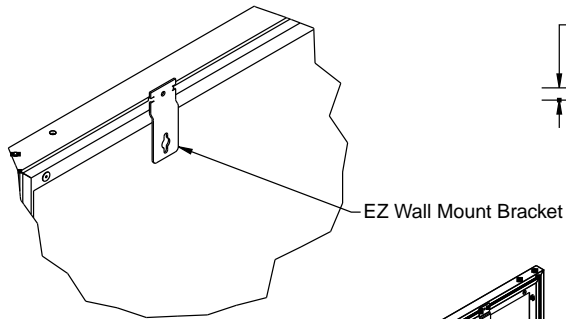


# EZ-Mount Wall EZ-Mount wal

Estimate #: **155198**

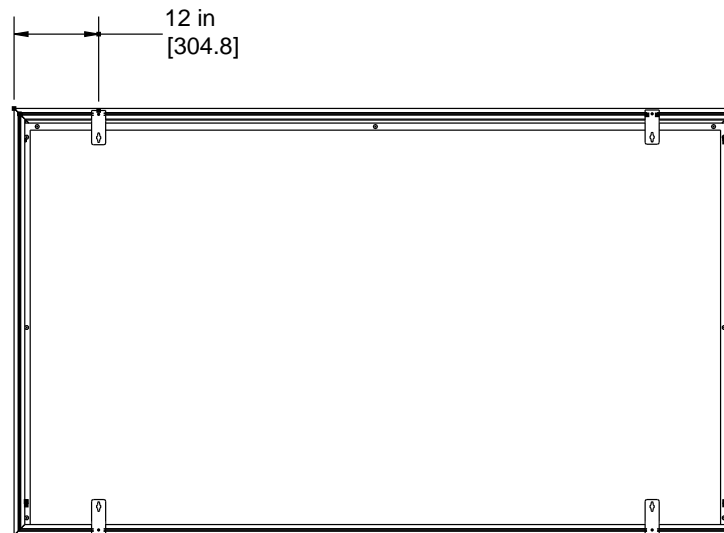
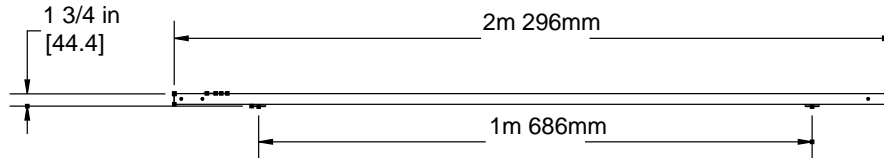
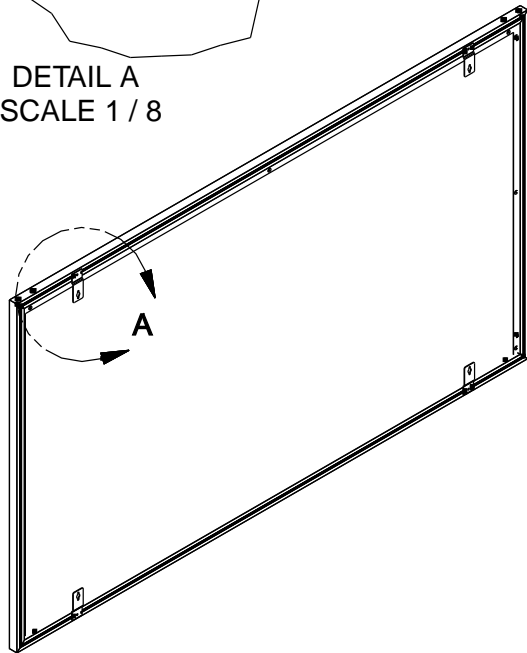
|                                      |                                    |                              |                              |
|--------------------------------------|------------------------------------|------------------------------|------------------------------|
| Screen Material:<br>StudioTek 130 G3 | Aspect Ratio:<br>2.343             | Mounting:<br>EZ-Mount Wall   | Frame Color:<br>VeLux        |
| Control(s):                          | Projector:<br>Mfg:TBD - Model: TBD | Image Brightness:            | Perforation:<br>None         |
| Dealer:<br>CAVENA MULTIMEDIA AB      | Project Name:                      | Requested By:<br>Tim Jansson | Estimated By:<br>Tim Jansson |
|                                      |                                    | Estimate Date:<br>6/26/2008  | Need By:<br>6/27/2008        |

## Installation Diagram



EZ Wall Mount Bracket

DETAIL A  
SCALE 1 / 8



Acceptance Date:

Customer Acceptance Signature:

Notes: